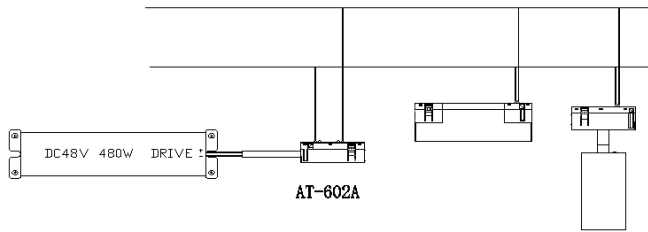


ADAPT SPOT

1.wiring diagram



2.the light source is not replaceable and if it becomes damaged the whole luminaire shall be disposed of

- 3. Tridonic driver 150W, max load 10pieces HTE-9311D
- Tridonic driver 75W, max load 5pieces HTE-9311D

FIG-1

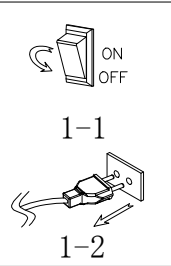
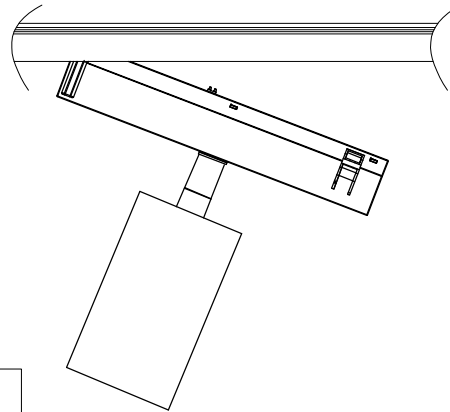


FIG-2

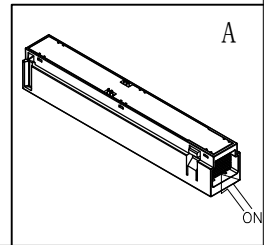
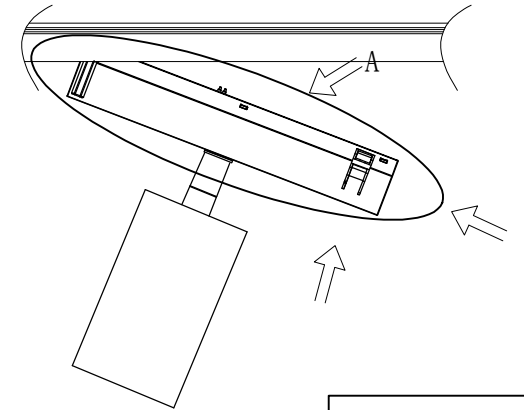


FIG-3

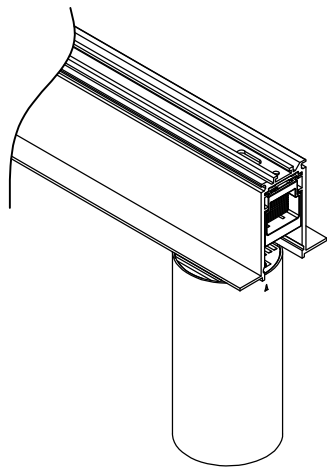


FIG-4

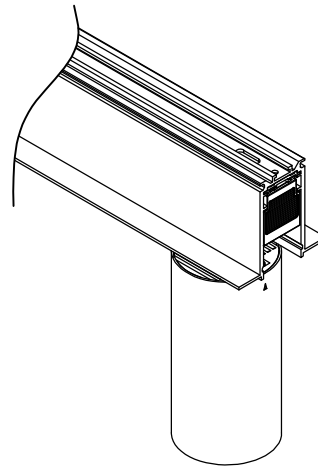


FIG-5

