

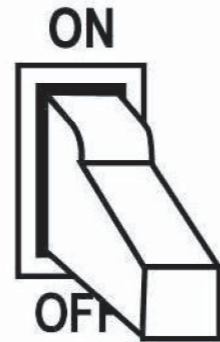
# Install Instructions Solar 400 Emergency

Rated Voltage - 220V -240V  
Rated Power - 42W  
Frequency - 0/50/60 Hz

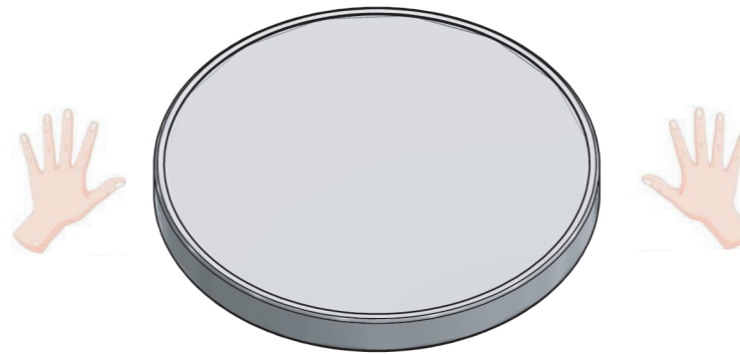
The light source contained in this luminaire shall only be replaced by the manufacturer or their service agent or a similar qualified person. Battery or Luminaire to be replaced when luminaire no longer reaches its rated duration of emergency mode operations.

**Please follow instructions carefully for installation.**

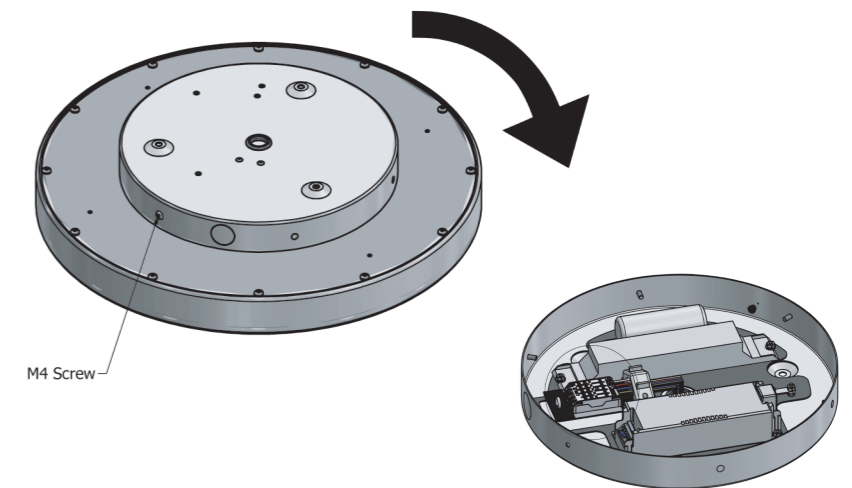
## Step 1 Insulate Power Supply



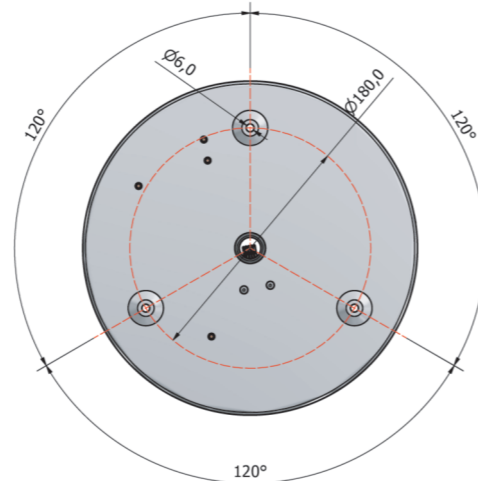
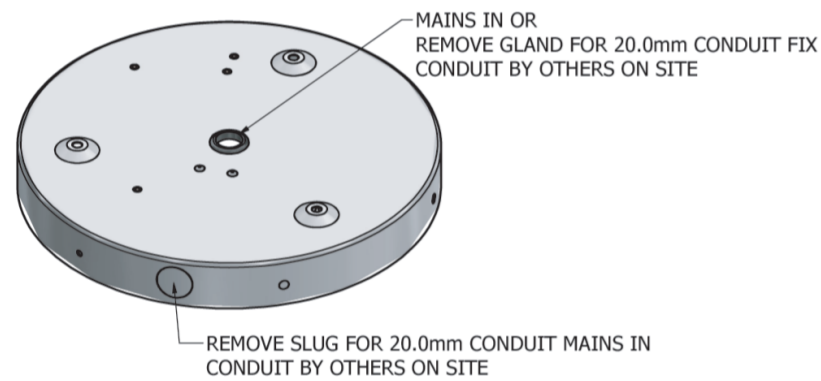
## Step 2 Remove luminaire from carton Handle with care



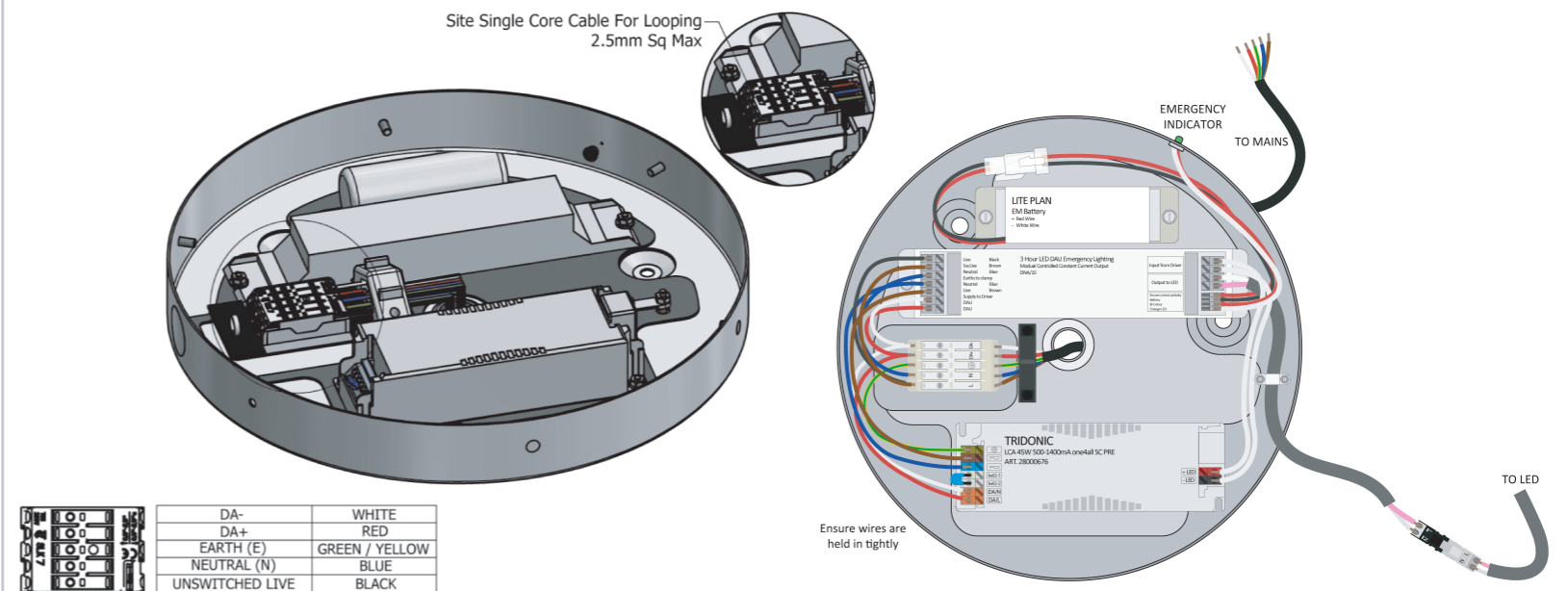
## Step 3 Remove M4 screw & turn to remove housing.



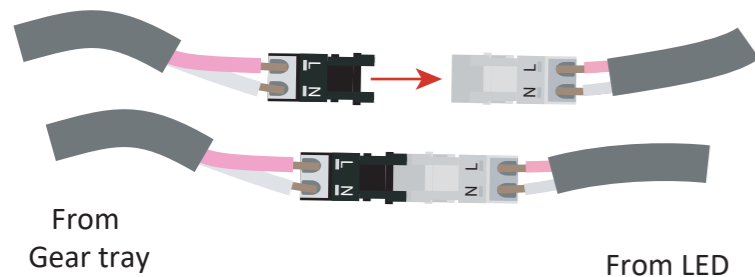
## Step 4 Wall and ceiling fixing dimensions.



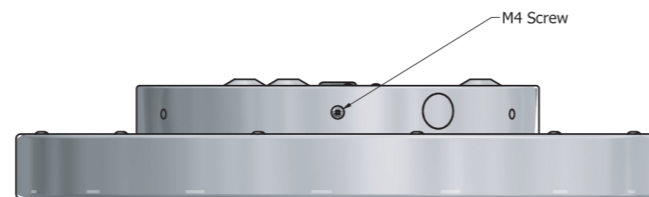
## Step 5 Mains Wiring - Connect to Mains wire as per Wiring schematic.



## Step 6 Connect inner Male & Female plugs



## Step 7 Refit front housing and screw with M4 screws



## Step 8 Turn on Power



Tridonic Driver Details  
LCA 45W 500-1400mA  
One4all SC PRE  
(28000676).

# formation lighting

Product Name.

## Solar 400 Emergency

Unit 8 trade city, Montrose road, Chelmsford, Essex, CM2 6TE

info@formationlighting.com

02071278788

This drawing and any information or descriptive material set out on it are the confidential and copyright property of Formation Lighting and MUST NOT BE DISCLOSED, COPIED, LOANED in whole or part or used for any purpose without the written permission of Formation Lighting.