

Install Instructions

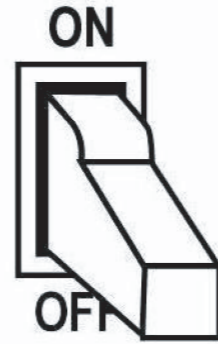
Tube 125 Remote Driver

Rated Voltage - 220V -240V
 Rated Power - 13 W
 Frequency - 50/60 Hz

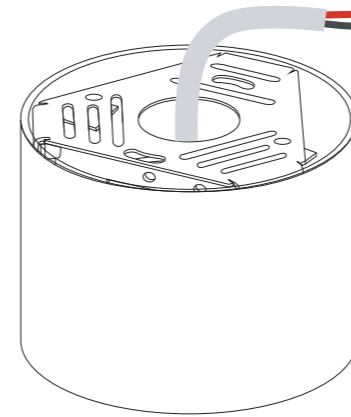
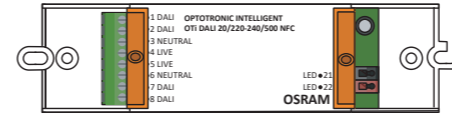
The light source contained in this luminaire shall only be replaced by the manufacturer or their service agent or a similar qualified person.

Please follow instructions carefully for installation.

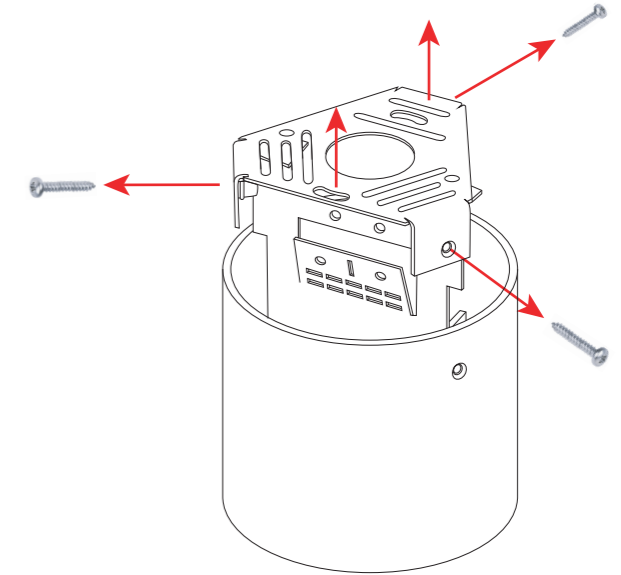
Step 1
 Insulate Power Supply



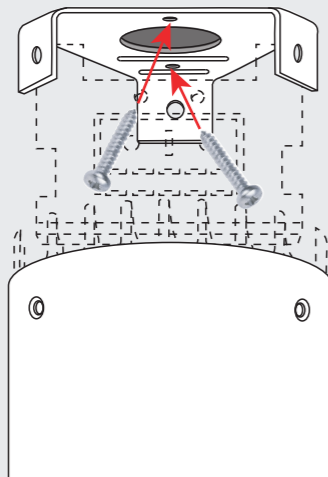
Step 2
 One Tube is paired with one driver.



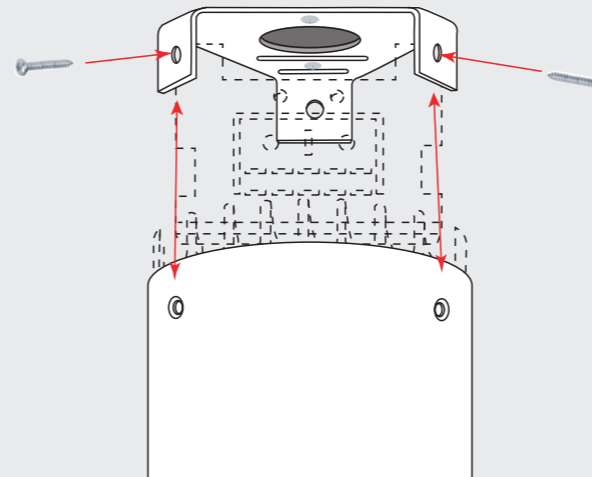
Step 3
 Remove 3 side screws from tube.



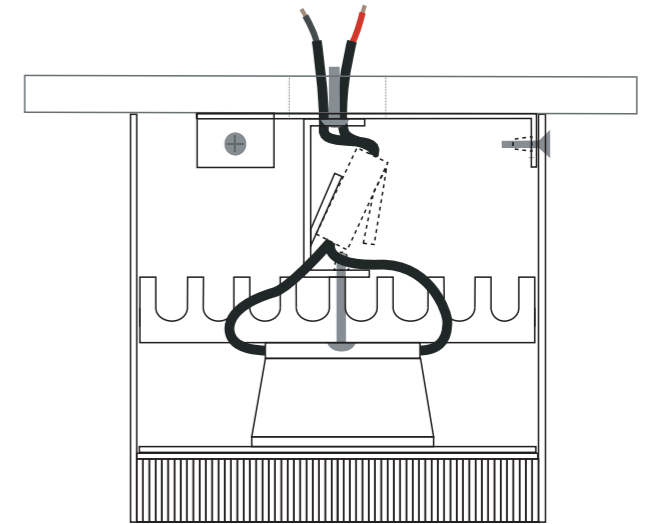
Step 4
 Screw back plate onto the ceiling. Ensure there is enough space either side of the arms to use a screw driver.



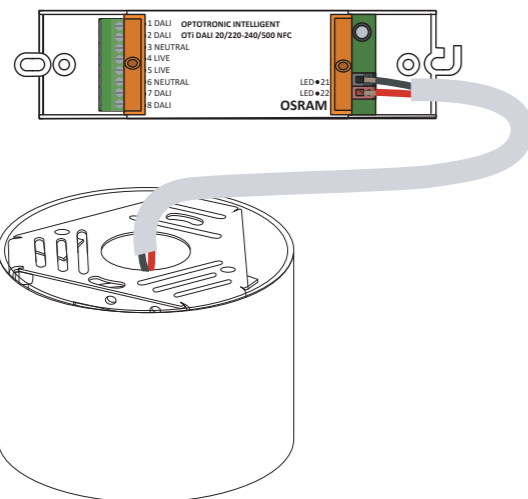
Step 5
 Align the holes in the tube to the holes in the arms and screw in screws.



Step 6
 Thread the wires through the hole in the back plate.



Step 8
 Wire as per Dual Tube Wiring Schematic.



Step 9
 Turn on Power



Remote Driver Detail
 OPTOTRONIC INTELLIGENT
 OTi DALI 20/220-240/500 I NFC

One driver per Tube

formation
 lighting

Product Name.

Tube 125 Remote Driver

Unit 8 trade city, Montrose road, Chelmsford, Essex, CM2 6TE

info@formationlighting.com

02071278788

This drawing and any information or descriptive material set out on it are the confidential and copyright property of Formation Lighting and MUST NOT BE DISCLOSED, COPIED, LOANED in whole or part or used for any purpose without the written permission of Formation Lighting.