

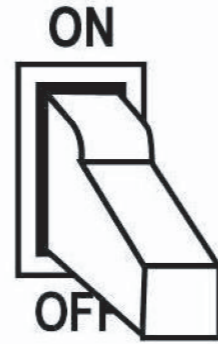
Install Instructions Tube 125 Standard

Rated Voltage - 220V -240V
Rated Power - 13W
Frequency - 50/60 Hz

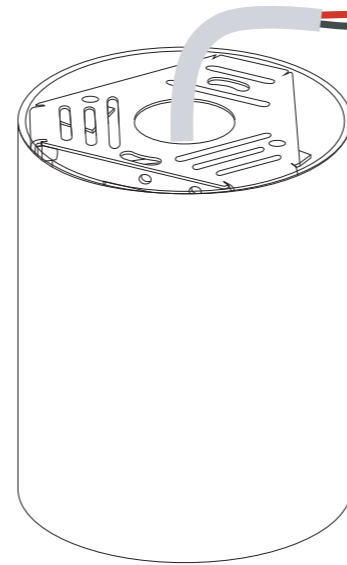
The light source contained in this luminaire shall only be replaced by the manufacturer or their service agent or a similar qualified person.

Please follow instructions carefully for installation.

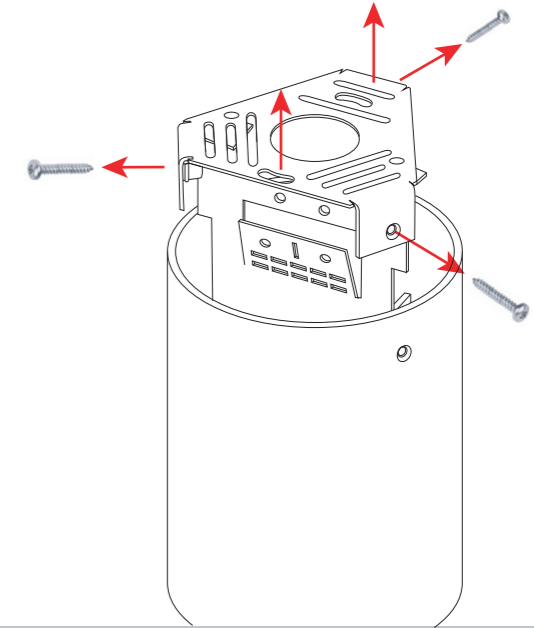
Step 1
Insulate Power Supply



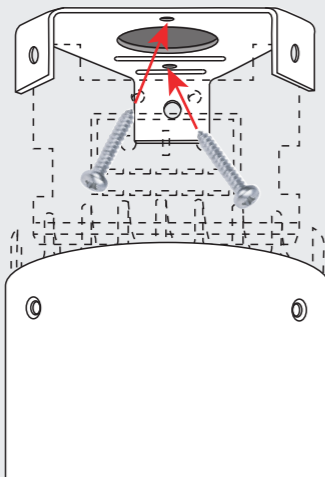
Step 2
Remove Tube from packaging.



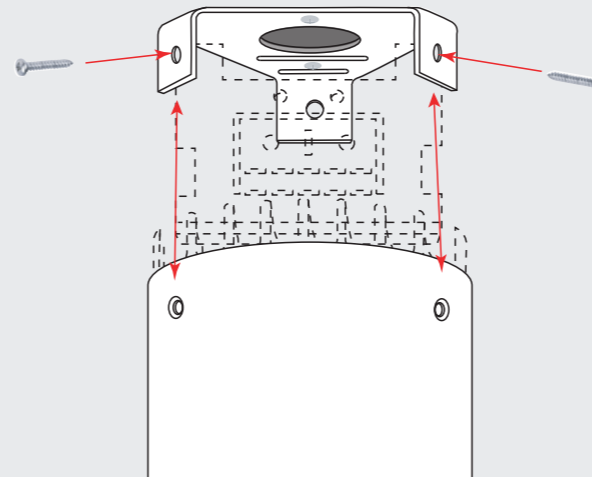
Step 3
Remove Side screws from sides of tube.



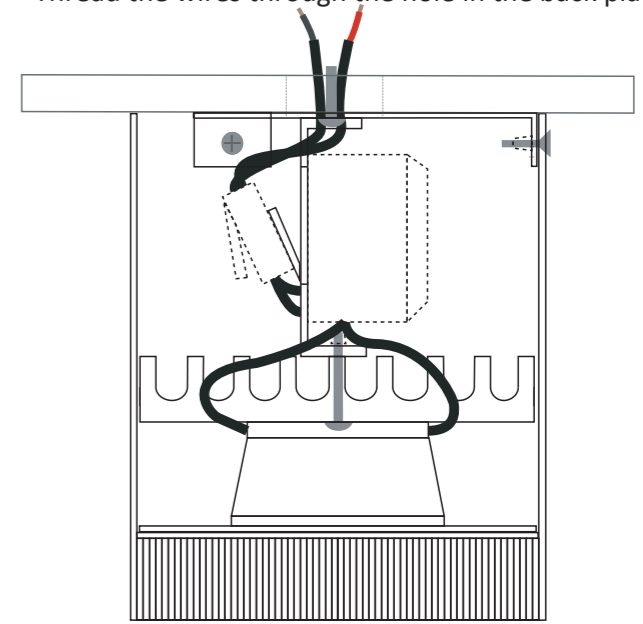
Step 4
Screw back plate onto the ceiling. Ensure there is enough space either side of the arms to use a screw driver.



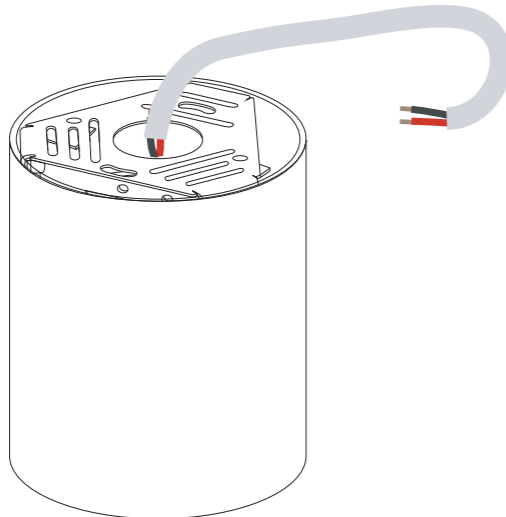
Step 5
Align the holes in the tube to the holes in the arms and screw in screws.



Step 6
Thread the wires through the hole in the back plate.



Step 8
Wire as per Dual Tube Wiring Schematic.



Step 9
Turn on Power



Integral Driver Detail
TCI Professionale
BI Dali NFC

One driver per Tube

formation
lighting

Product Name.

Tube 125 Standard

Unit 8 trade city, Montrose road, Chelmsford, Essex, CM2 6TE

info@formationlighting.com

02071278788

This drawing and any information or descriptive material set out on it are the confidential and copyright property of Formation Lighting and MUST NOT BE DISCLOSED, COPIED, LOANED in whole or part or used for any purpose without the written permission of Formation Lighting.