

## Tube 125

Tube 125 4000K 60° High Output

PRODUCT NUMBER -

1.TB125.D1.O1-060.940.04.HO.G1

PROJECT NAME -

### PRODUCT DATASHEET

#### PRODUCT OVERVIEW

Application	Office, Retail, Residential, Leisure, Hospitality & Healthcare
Description	Downlight that can be mounted onto a surface or onto different conduit fixings. Allowing it to be a surface and pendant downlight with various lenses and outputs and as an emergency.

#### PHYSICAL PROPERTIES

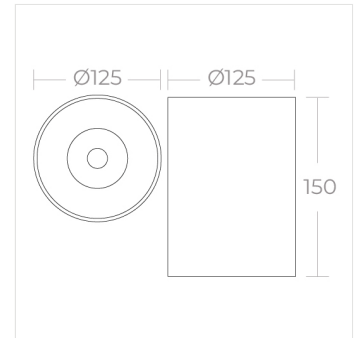
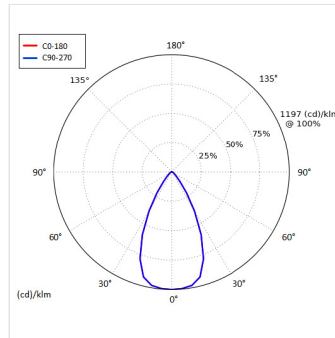
Dimensions (mm) W x H:	Ø125 x 150
Weight (kg)	1.1
Material	Diffuser: Polycarbonate, Body: Aluminium
Colour	Black, White or Custom RAL on request
Fixing type	Surface Mounted
Fixing description	Able to be mounted to any surface or besa box. Or suspended with 20 or 25mm conduit.
IP rating	IP20

#### PHOTOMETRIC PROPERTIES

Optic	Clear
Output mode	High Output
Beam angle (°)	60
Colour temperature (K)	4000
Colour Rendering Index (CRI)	>90
Direct lumen output (lm)	2350
Wattage (W)	23
Efficacy (lm/W)	102.2
Unified Glare Rating (UGR)	17.8

#### ELECTRICAL PROPERTIES

Supply voltage (V)	220-240
Supply frequency (Hz)	0 / 50 / 60
Current (mA)	600
Control	DALI, CASAMBI
Safety class	II
LED Life (L70B50) (hrs)	60000



#### Terms and Conditions

© 2024 Formation Lighting. All rights reserved. The information in this datasheet is for informational purposes only and may change without notice. Technical data are rated for 25°C ambient temperature with a tolerance of +/- 10% for luminous flux and +/- 150 K for colour temperature. The UGR is calculated from a room with 4H/8H dimensions and reflectance of 20% floor, 50% walls, and 70% ceiling using the SHR 1:1. Use of this datasheet is subject to our terms and conditions, available at [formationlighting.com](http://formationlighting.com)