

FAD 125 Wall Wash Trimless

FAD 125 Wall Wash Trimless 4000K 28W

PRODUCT NUMBER -

1.FA018.D1.O2-000.940.05.HE.G1

PROJECT NAME -

PRODUCT DATASHEET

PRODUCT OVERVIEW

Application	Office, Retail, Residential, Leisure, Hospitality & Healthcare
Description	Architectural recessed downlight, available in a range of sizes, in square, round and with a trimless option. Adjustable and fixed reflectors are interchangeable and available in any RAL colour. Lenses include narrow, medium, wide, and wall wash. Escapeform 1 provides emergency output.

PHYSICAL PROPERTIES

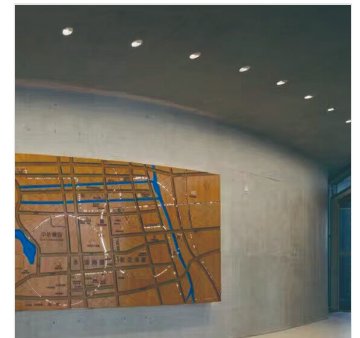
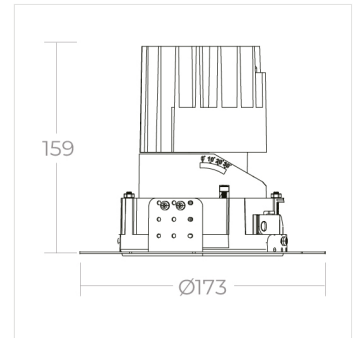
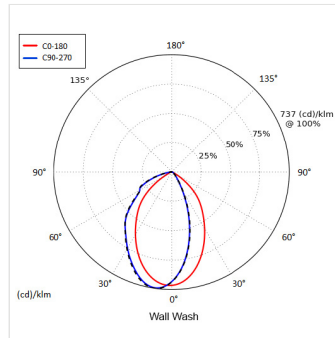
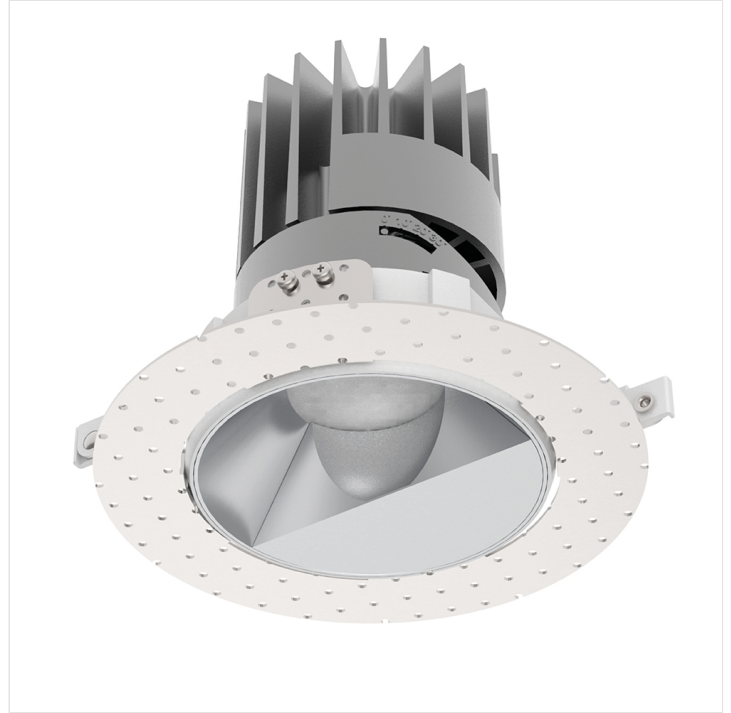
Dimensions (mm) W x H:	Ø137 x 159
Cut out (mm)	Ø132
Weight (kg)	0.83
Material	Diffuser: PMMA, Body: Aluminium
Colour	Matt
Fixing type	Recessed plaster-in trim
IP rating	IP20

PHOTOMETRIC PROPERTIES

Optic	Opal
Output mode	High Efficiency
Beam angle (°)	Wall Wash
Colour temperature (K)	4000
Colour Rendering Index (CRI)	>90
Direct lumen output (lm)	1188
Wattage (W)	28.0
Efficacy (lm/W)	42

ELECTRICAL PROPERTIES

Supply voltage (V)	220-240
Supply frequency (Hz)	0 / 50 / 60
Current (mA)	700
Control	Non Dim, Phase Dim, 1-10V and DALI
Safety class	II
LED Life (L70B50) (hrs)	83000



IP20

Terms and Conditions

© 2024 Formation Lighting. All rights reserved. The information in this datasheet is for informational purposes only and may change without notice. Technical data are rated for 25°C ambient temperature with a tolerance of +/- 10% for luminous flux and +/- 150 K for colour temperature. The UGR is calculated from a room with 4H/8H dimensions and reflectance of 20% floor, 50% walls, and 70% ceiling using the SHR 1:1. Use of this datasheet is subject to our terms and conditions, available at formationlighting.com