

## FAD 35

FAD 35 3000K 3W

PRODUCT NUMBER -

1.FA001.D1.O1-000.930.08.HE.G1

PROJECT NAME -

### PRODUCT DATASHEET

#### PRODUCT OVERVIEW

Application	Office, Retail, Residential, Leisure, Hospitality & Healthcare
Description	Minimal downlight, with a small cut out size and a deep recess to minimise glare. Internal shade is interchangeable and is available in any specified RAL.

#### PHYSICAL PROPERTIES

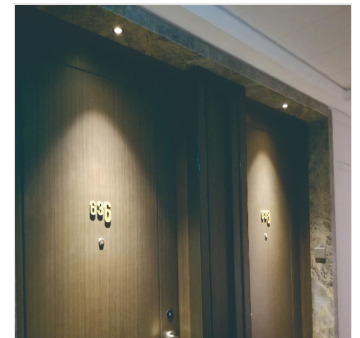
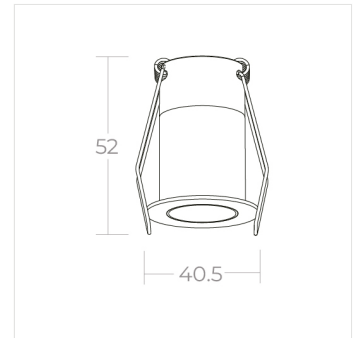
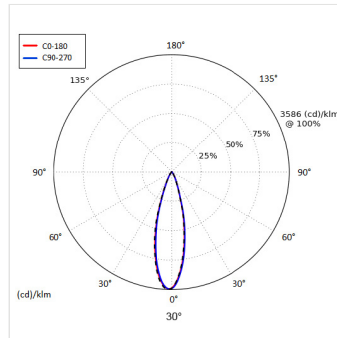
Dimensions (mm) W x H:	Ø40.5 x 52
Cut out (mm)	Ø35
Weight (kg)	0.08
Material	Body: Aluminium
Colour	Silver, White, Black, Gold and any other RAL on request
Fixing type	Recessed spring clips
IP rating	IP20

#### PHOTOMETRIC PROPERTIES

Optic	Clear
Output mode	High Efficiency
Beam angle (°)	18° & 35°
Colour temperature (K)	3000
Colour Rendering Index (CRI)	>90
Direct lumen output (lm)	100
Wattage (W)	3.0
Efficacy (lm/W)	33

#### ELECTRICAL PROPERTIES

Supply voltage (V)	220-240
Supply frequency (Hz)	0 / 50 / 60
Current (mA)	500
Control	Non Dim
Safety class	II
LED Life (L70B50) (hrs)	83000



#### Terms and Conditions

© 2024 Formation Lighting. All rights reserved. The information in this datasheet is for informational purposes only and may change without notice. Technical data are rated for 25°C ambient temperature with a tolerance of +/- 10% for luminous flux and +/- 150 K for colour temperature. The UGR is calculated from a room with 4H/8H dimensions and reflectance of 20% floor, 50% walls, and 70% ceiling using the SHR 1:1. Use of this datasheet is subject to our terms and conditions, available at [formationlighting.com](http://formationlighting.com)