

FAD S 150 Fixed

FAD S 150 Fixed 3000K 26.3W

PRODUCT NUMBER -

1.FA041.D1.O1-000.930.09.HE.G1

PROJECT NAME -

PRODUCT DATASHEET

PRODUCT OVERVIEW

Application	Office, Retail, Residential, Leisure, Hospitality & Healthcare
Description	Architectural recessed downlight, available in a range of sizes, in square, round and with a trimless option. Adjustable and fixed reflectors are interchangeable and available in any RAL colour. Lenses include narrow, medium, wide, and wall wash. Escapefo

PHYSICAL PROPERTIES

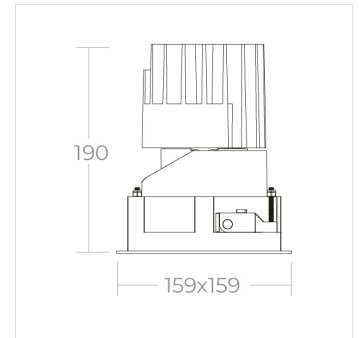
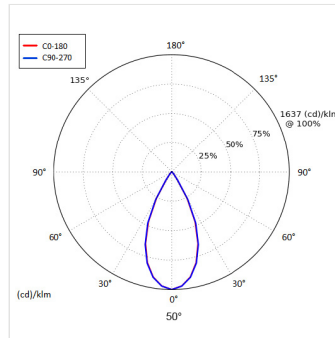
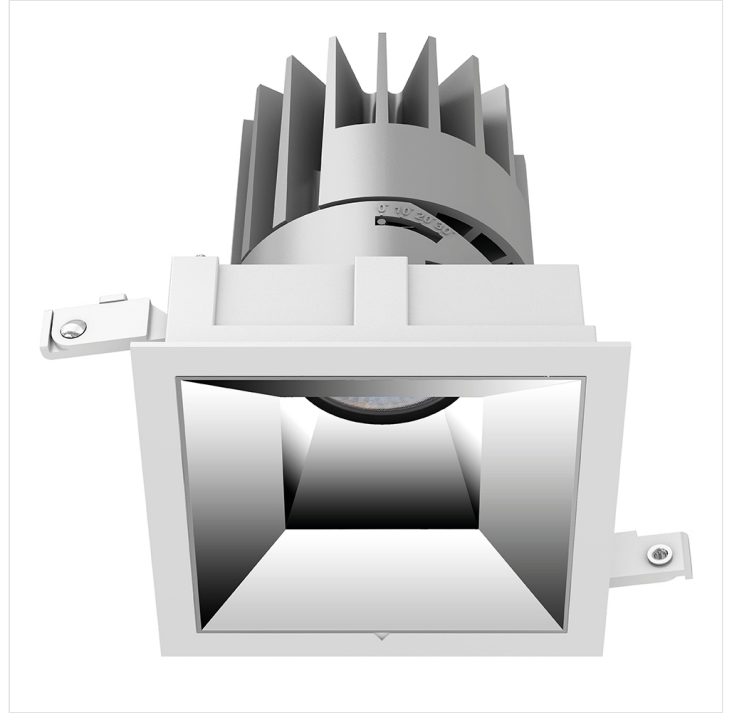
Dimensions (mm) L x W x H:	159 x 159 x 190
Cut out (mm)	147x147
Weight (kg)	1.5
Material	Diffuser: PMMA, Body: Aluminium
Colour	Specular, Chrome Black, White, Matt, Black, Gold and any other RAL on request
Fixing type	Recessed screw wing clamps
IP rating	IP20

PHOTOMETRIC PROPERTIES

Optic	Clear
Output mode	High Efficiency
Beam angle (°)	28°, 32° & 50°
Colour temperature (K)	3000
Colour Rendering Index (CRI)	>90
Direct lumen output (lm)	2558
Wattage (W)	26.3
Efficacy (lm/W)	97

ELECTRICAL PROPERTIES

Supply voltage (V)	220-240
Supply frequency (Hz)	0 / 50 / 60
Current (mA)	700
Control	Non Dim, Phase Dim, 1-10V and DALI
Safety class	II
LED Life (L70B50) (hrs)	83000



IP20

Terms and Conditions

© 2024 Formation Lighting. All rights reserved. The information in this datasheet is for informational purposes only and may change without notice. Technical data are rated for 25°C ambient temperature with a tolerance of +/- 10% for luminous flux and +/- 150 K for colour temperature. The UGR is calculated from a room with 4H/8H dimensions and reflectance of 20% floor, 50% walls, and 70% ceiling using the SHR 1:1. Use of this datasheet is subject to our terms and conditions, available at formationlighting.com