

## FAD S 68 Adjustable

FAD S 68 Adjustable 4000K 13.8W

PRODUCT NUMBER -

1.FA025.D1.O1-000.940.09.HE.G1

PROJECT NAME -

### PRODUCT DATASHEET

#### PRODUCT OVERVIEW

Application	Office, Retail, Residential, Leisure, Hospitality & Healthcare
Description	Architectural recessed downlight, available in a range of sizes, in square, round and with a trimless option. Adjustable and fixed reflectors are interchangeable and available in any RAL colour. Lenses include narrow, medium, wide, and wall wash. Escapeform 1 provides emergency output.

#### PHYSICAL PROPERTIES

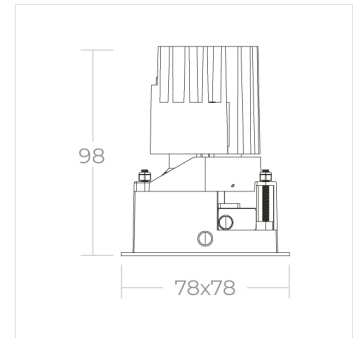
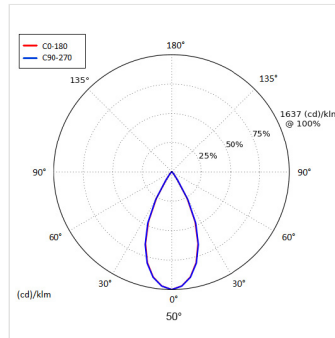
Dimensions (mm) L x W x H:	78 x 78 x 98
Cut out (mm)	68x68
Weight (kg)	0.33
Material	Diffuser: PMMA, Body: Aluminium
Colour	Specular, Chrome Black, White, Matt, Black, Gold and any other RAL on request
Fixing type	Recessed screw wing clamps
IP rating	IP20

#### PHOTOMETRIC PROPERTIES

Optic	Clear
Output mode	High Efficiency
Beam angle (°)	24°, 40° & 55°
Colour temperature (K)	4000
Colour Rendering Index (CRI)	>90
Direct lumen output (lm)	1488
Wattage (W)	13.8
Efficacy (lm/W)	108

#### ELECTRICAL PROPERTIES

Supply voltage (V)	220-240
Supply frequency (Hz)	0 / 50 / 60
Current (mA)	300
Control	Non Dim, Phase Dim, 1-10V and DALI
Safety class	II
LED Life (L70B50) (hrs)	83000



#### Terms and Conditions

© 2024 Formation Lighting. All rights reserved. The information in this datasheet is for informational purposes only and may change without notice. Technical data are rated for 25°C ambient temperature with a tolerance of +/- 10% for luminous flux and +/- 150 K for colour temperature. The UGR is calculated from a room with 4H/8H dimensions and reflectance of 20% floor, 50% walls, and 70% ceiling using the SHR 1:1. Use of this datasheet is subject to our terms and conditions, available at [formationlighting.com](http://formationlighting.com)