

# Aquaform 1200

Aquaform 1200 4000K High Output Emergency

PRODUCT NUMBER -

1.AF002.D1.OX-120.X40.04.XX.G2

PROJECT NAME -

## PRODUCT DATASHEET

### PRODUCT OVERVIEW

Application	Office, Healthcare, Leisure
Description	Amenity luminaire with DALI control and IP66 rating.

### PHYSICAL PROPERTIES

Dimensions (mm) L x W x H:	1270 x 99 x 82
LED Quantity (per m)	276
Weight (kg)	1.6
Material	Diffuser: PC ( V0 ) , Body: PC (5VA )
Colour	Ral7035 Housing , White Cover
Fixing type	Surface Mounted
Fixing description	Able to be surface mounted or suspended
IP rating	IP66
IK Rating	IK08

### PHOTOMETRIC PROPERTIES

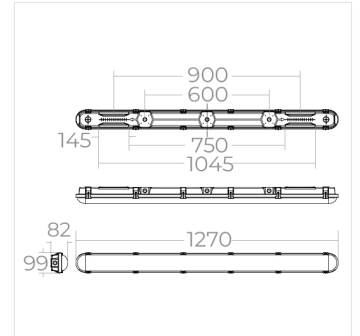
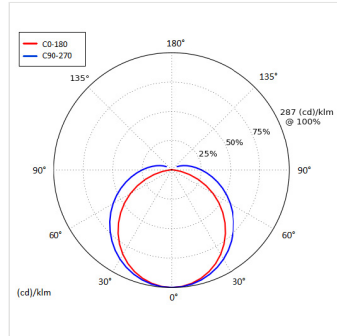
Output mode	High Output Emergency
Beam angle (°)	120°
Colour temperature (K)	4000
Colour Rendering Index (CRI)	> 80
Direct lumen output (lm)	7227
Wattage (W)	48
Efficacy (lm/W)	151
Unified Glare Rating (UGR)	25

### ELECTRICAL PROPERTIES

Supply voltage (V)	220-240
Supply frequency (Hz)	0 / 50 / 60
Current (mA)	570
Control	DALI
Safety class	I
LED Life (L70B50) (hrs)	100000

### EMERGENCY PROPERTIES

Lumen output (lm)	346
Emergency duration (hrs)	3
Battery size (Ah)	1.5
Battery temperature	50
Battery type	3.2V LiFePO4
Recharge period (hrs)	24
Operating mode	Maintained



### Terms and Conditions

© 2024 Formation Lighting. All rights reserved. The information in this datasheet is for informational purposes only and may change without notice. Technical data are rated for 25°C ambient temperature with a tolerance of +/- 10% for luminous flux and +/- 150 K for colour temperature. The UGR is calculated from a room with 4H/8H dimensions and reflectance of 20% floor, 50% walls, and 70% ceiling using the SHR 1:1. Use of this datasheet is subject to our terms and conditions, available at [formationlighting.com](http://formationlighting.com)