

### **| Kindly Reminder |**

Thank you very much for choosing this product. In order to make sure fully understand the product, use it correctly and safely, please read the manual carefully, and keep it for future reference.

This product is guaranteed for five years from the date of purchase.

### **| Attention |**

- ❶ Make sure to connect it to the rated
- ❷ Lamps cables should be connected correctly. Keep the connection steady, reliable and well grounded.
- ❸ All internal wiring must be checked before lighting on the lamp.
- ❹ Don't install it on the deformed surface.
- ❺ When the lamp is cannot work normally, please cut off the power supply and contact the agent or manufacturer immediately.

---

Formation Lighting Ltd.

Company Registration No: 09361288.

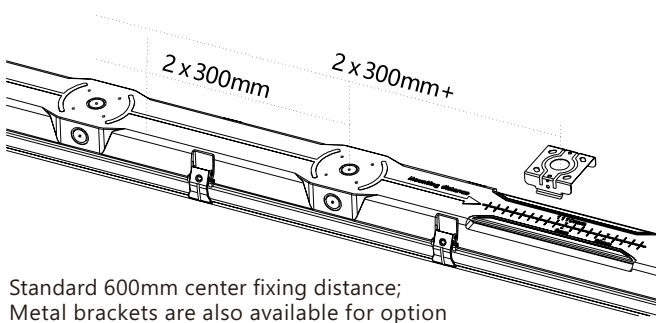
Unit 1 Evercreech Way, Walrow Industrial Estate, Highbridge, Somerset TA9 4AR.

Telephone: 44 02071278788      [www.formationlighting.com](http://www.formationlighting.com)

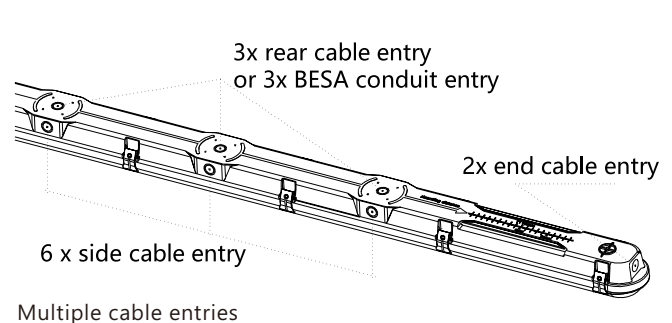
## Advantages

- ⊙ Plug&play sensor/emergency module available for quick installation
- ⊙ Diffuser with optical design ensures visual comfort
- ⊙ 3000, 4000 and 5000K color temperature in the same body and adjusted by DIP switch
- ⊙ Cable through for easy and quick installation
- ⊙ With multi mounting distance on the back
- ⊙ The terminal block can be quickly installed to multiple positions in the housing
- ⊙ High efficiency up to 170lm/W for option

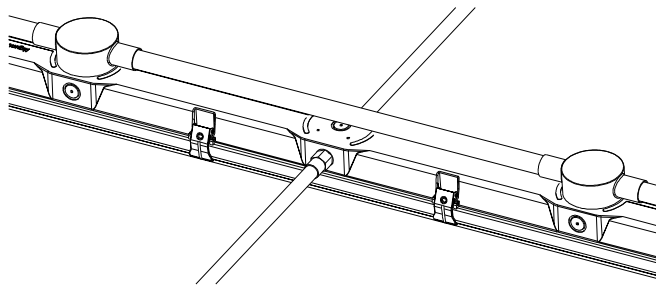
## Feature



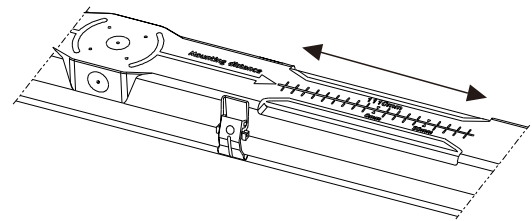
Standard 600mm center fixing distance;  
Metal brackets are also available for option



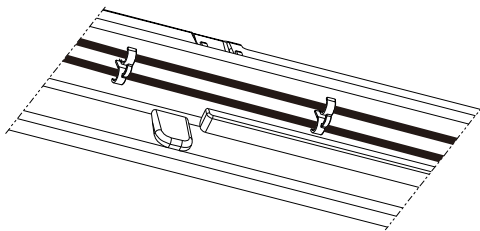
Multiple cable entries



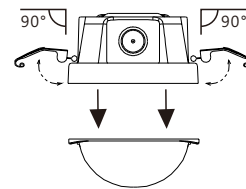
Three are 3 places for BASE installation on the back; Cable can also get through from the back for special applications



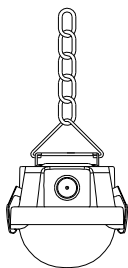
There are scales on the back for flexible installation



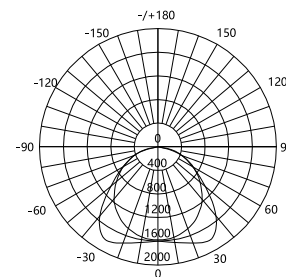
Cable restrain clips along the inside of the fitting avoid cables interfering with the closing of the fixture



Ultra secure side clip design, ensures that clips do not detach from fixture unless purposefully removed. Side fastening clips can be secured in to 90° position when installing

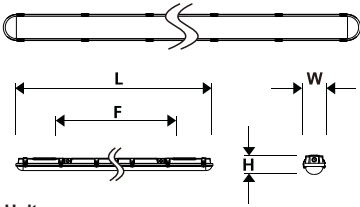


Installation with chaing is available for option



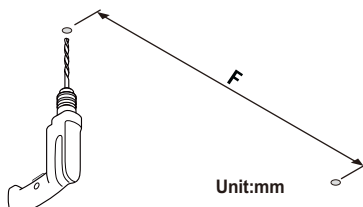
Diffuser with special optical design

# formation lighting

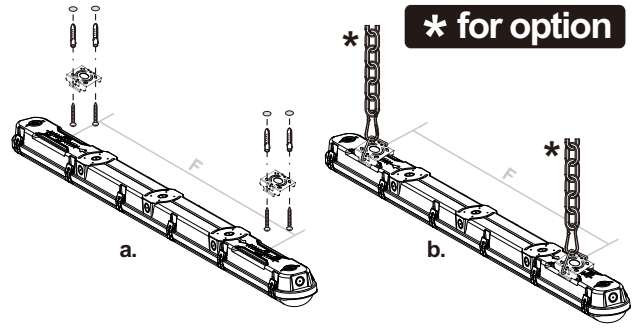


Unit:mm

	L	W	H	F
2FT	668	99	82	303-497
4FT	1270	99	82	750-1045
5FT	1570	99	82	910-1305

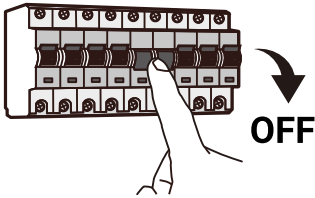


Length	F
2FT	303-497
4FT	750-1045
5FT	910-1305



a. Installation by brackets

b. Installation by suspension kit

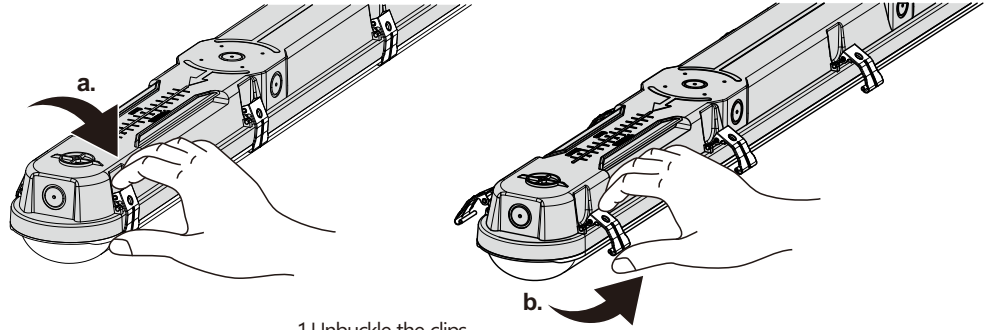


OFF

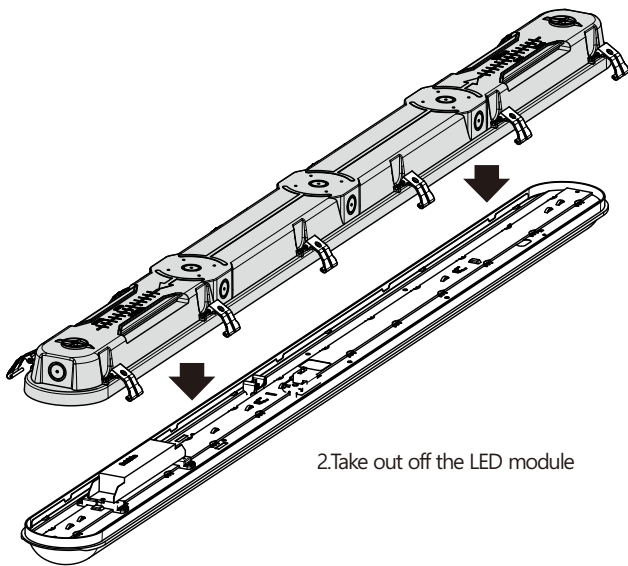


**WARNING**

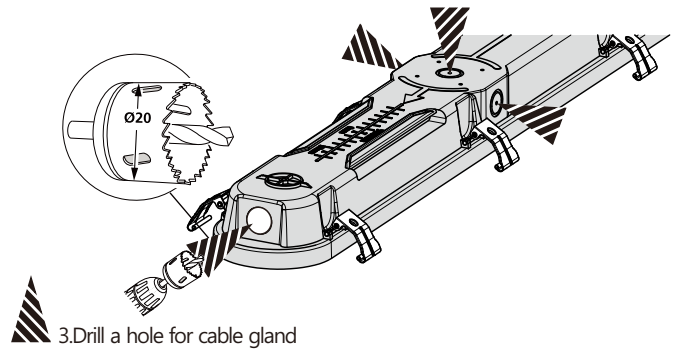
Switch off the power supply before installation



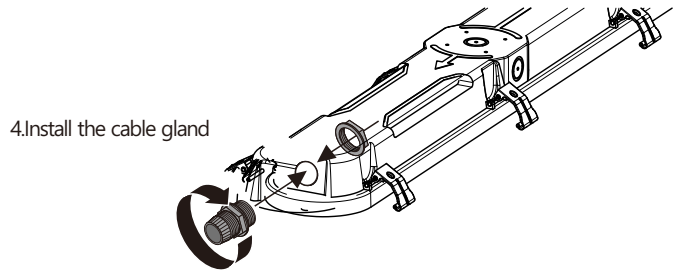
1. Unbuckle the clips



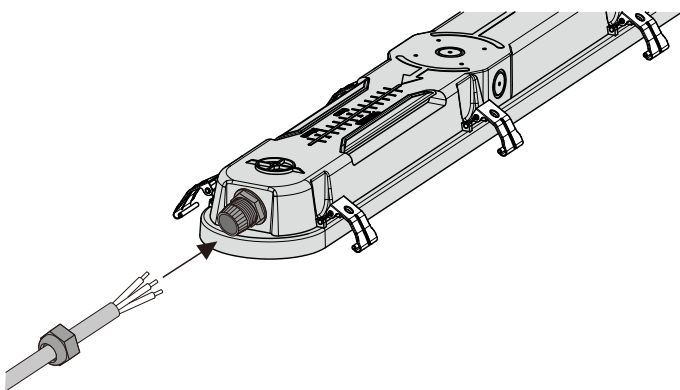
2. Take out off the LED module



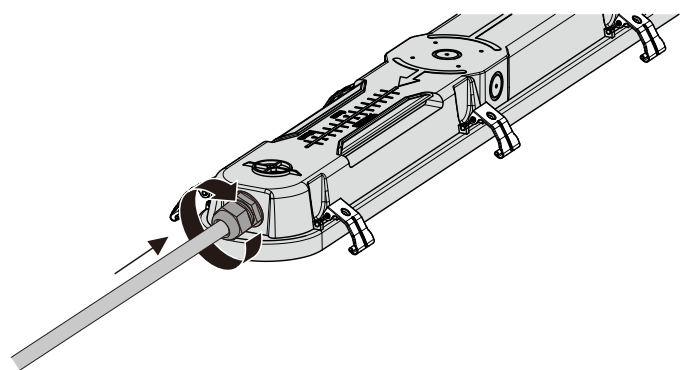
3. Drill a hole for cable gland



4. Install the cable gland



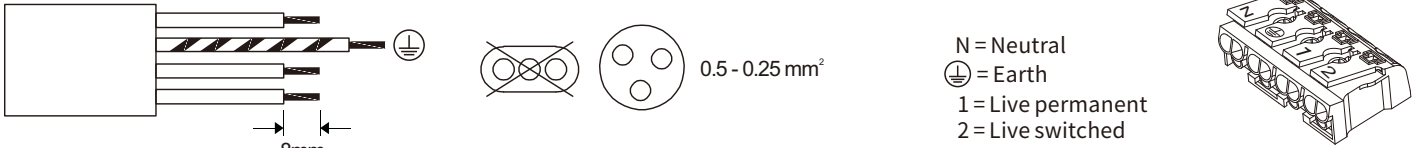
5. Insert the cable through the cable gland



6. Fasten the cable gland

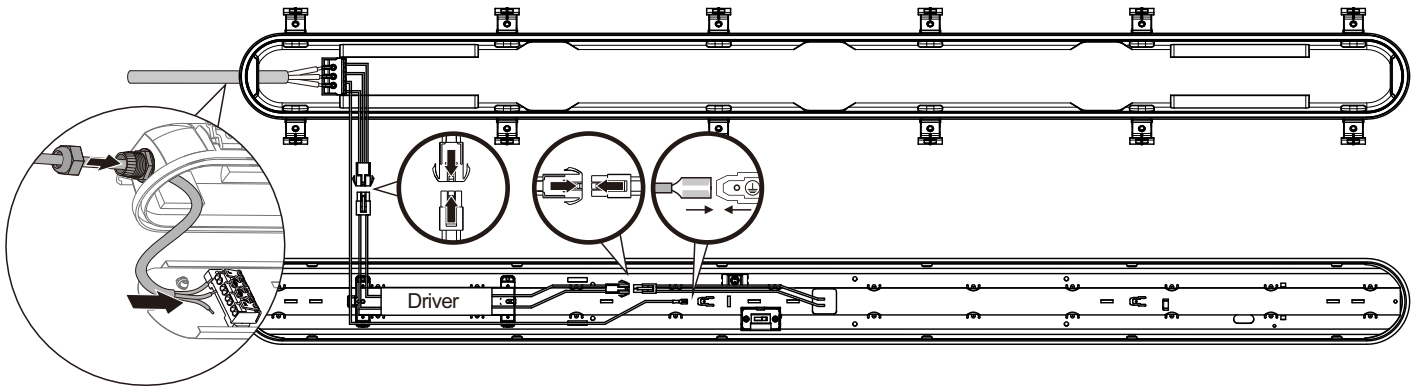
# formation lighting

7. Connect the wires

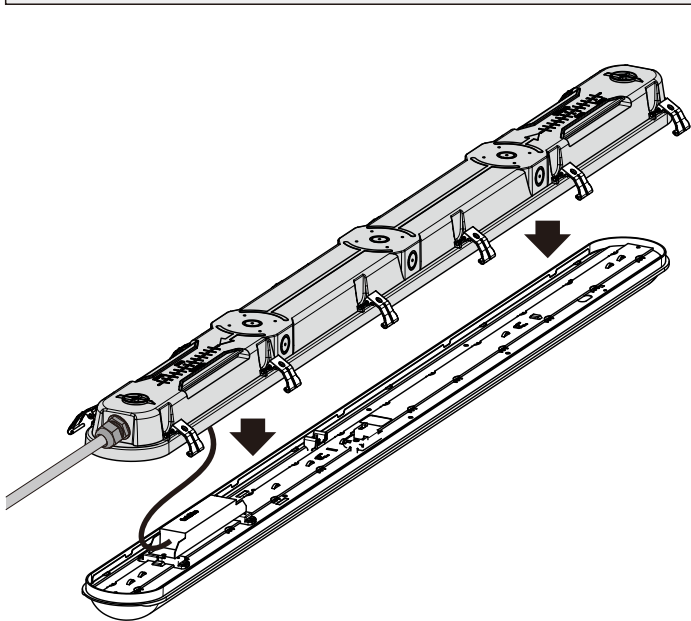
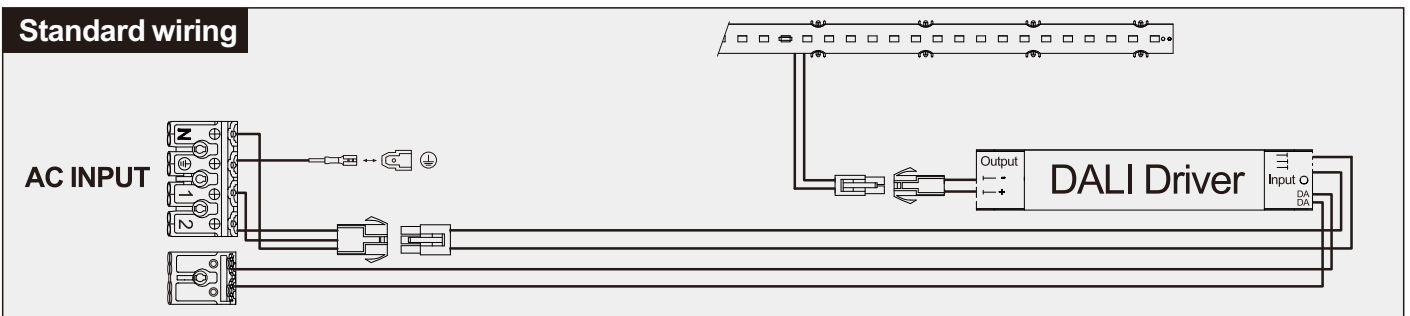


Mains input connection 220-240V 50/60Hz Class I ⊕

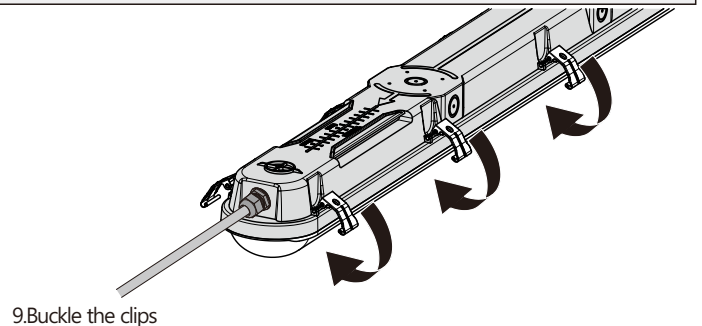
Wire the mains input supply to the terminal block as per the diagram shown above: (2) Live Switched, ⊕ earth and (N) neutral (1) Live permanent (EM versions only). Turn on the fitting to ensure it is working and functioning correctly.



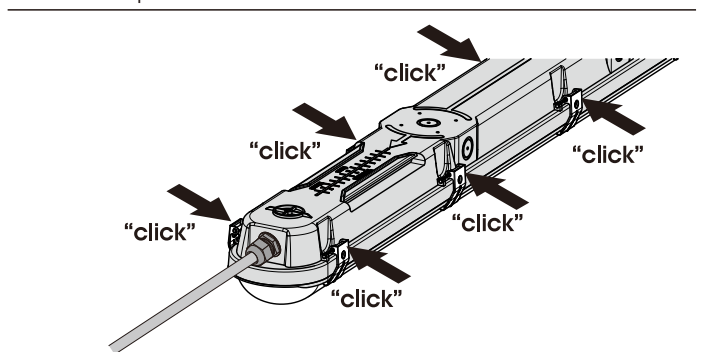
## Standard wiring



8. Put back the LED module and diffuser



9. Buckle the clips



10. Finish installation

Formation Lighting Ltd.

Company Registration No: 09361288.

Unit 1 Evercreech Way, Walrow Industrial Estate, Highbridge, Somerset TA9 4AR.

Telephone: 44 02071278788

www.formationlighting.com