

Domino 2x2

Domino 2x2 4000K 40D 11W

PRODUCT NUMBER -

1.XXXXX.D1.O1-040.940.08.HE.G1

PROJECT NAME -

PRODUCT DATASHEET

PRODUCT OVERVIEW

| | |
|-------------|--|
| Application | Office, Retail, Residential, Leisure, Hospitality & Healthcare |
| Description | Recessed multi cell downlight, ranging from 1 spot to 10 spot. Available in 24 and 40 degree, the smaller downlights are fixed while the 5 and 10 cell are available as a wall wash, a fixed and an adjustable. All come with interchangeable reflectors and are available in any specified RAL. Escapeform 1 provides emergency output. |

PHYSICAL PROPERTIES

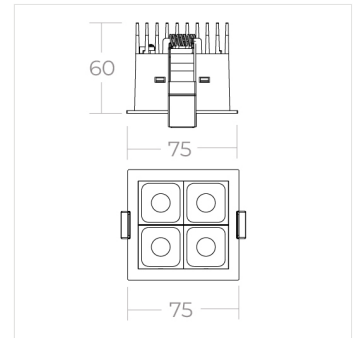
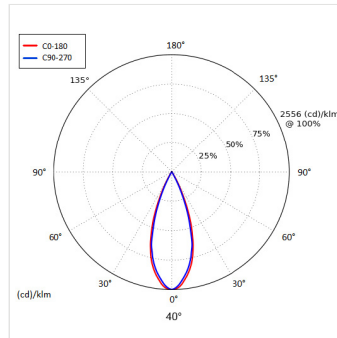
| | |
|----------------------------|--|
| Dimensions (mm) L x W x H: | 75 x 75 x 60 |
| Weight (kg) | 0.2133 |
| Material | Diffuser: PC, Body: Aluminium |
| Colour | Matt, White, Gold and Black and any other RAL on request |
| Fixing type | Recessed spring clips |
| IP rating | IP20 |

PHOTOMETRIC PROPERTIES

| | |
|------------------------------|-----------------|
| Optic | Clear |
| Output mode | High Efficiency |
| Beam angle (°) | 40° |
| Colour temperature (K) | 4000 |
| Colour Rendering Index (CRI) | >90 |
| Direct lumen output (lm) | 813 |
| Wattage (W) | 11 |
| Efficacy (lm/W) | 74 |

ELECTRICAL PROPERTIES

| | |
|-------------------------|---------------------------------|
| Supply voltage (V) | 220-240 |
| Supply frequency (Hz) | 0 / 50 / 60 |
| Current (mA) | 700 |
| Control | Non Dim, Phase Dim, 1-10V, DALI |
| Safety class | II |
| LED Life (L70B50) (hrs) | 83000 |



IP20

Terms and Conditions

© 2024 Formation Lighting. All rights reserved. The information in this datasheet is for informational purposes only and may change without notice. Technical data are rated for 25°C ambient temperature with a tolerance of +/- 10% for luminous flux and +/- 150 K for colour temperature. The UGR is calculated from a room with 4H/8H dimensions and reflectance of 20% floor, 50% walls, and 70% ceiling using the SHR 1:1. Use of this datasheet is subject to our terms and conditions, available at formationlighting.com